



V43 V44
V45 V46

Natural frequencies : (1)
V4* = 22 to 30 Hz
V4*W = 15 to 22 Hz

See also PAULSTRA
elastomer range:
Nivofix - Minifix

DESCRIPTION

Standard V43, V44, V45 and V46 mounts have a cast steel base and a resilient element made from a stainless steel wire cushion.

The version H includes a cup and a levelling stud. It can also be equipped with grip pads.

Version W differs from the standard version as it has a thicker cushion for greater flexibility

APPLICATIONS

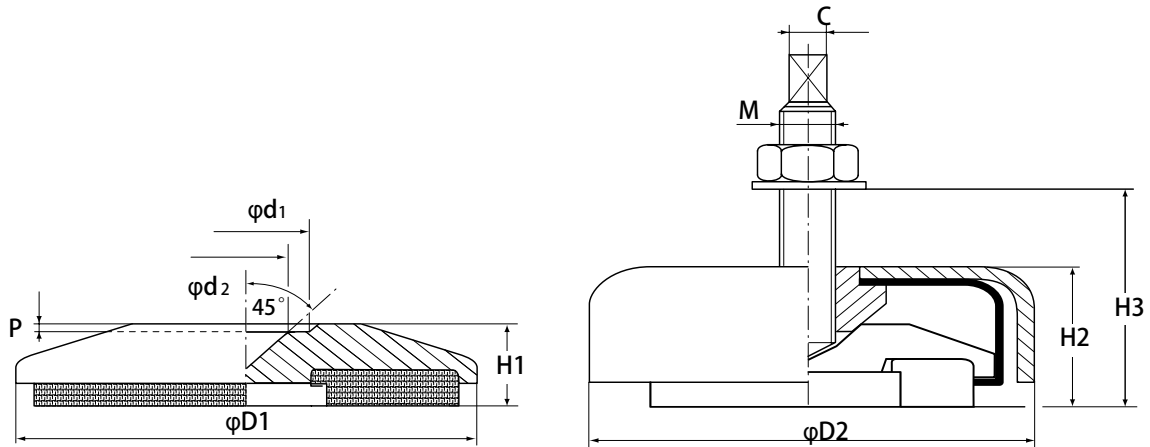
This range with a natural frequency of 15 to 30 Hz can be used for mounting machine tools in harsh industrial environments.

They are unaffected by oil, temperature and fatigue and their life time is often the same as that of the machine.

The thicker metallic cushion of the version W, can be used for mounting forming tools (presses, shears, folding machines) and improves the vibration isolation level.

(1) Natural frequencies with max/min loads, see : OPERATING CHARACTERISTICS.

DIMENSIONS



V4*(-W)

V4*H(-W)

* Complete part number; see table below.
W = Low frequency cushion.

OPERATING CHARACTERISTICS

Reference	Static load (daN)	Max. dynamic force in compression (daN)	Natural frequency (Hz)	φD1 (mm)	H1 (mm)	φD2 (mm)	H2 (mm)	M	C (mm)	H3 maxi (mm)	φd1 (mm)	φd2 (mm)	P (mm)	
V43	50 to 350	750	22 to 30	81	20	-	-	-	-	-	17	12	3	
V43-H				-	-	96	35	M12	8	115	-	-	-	
V43-W			15 to 22	81	31	-	-	-	-	-	-	17	12	3
V43-WH				-	-	96	46	M12	8	125	-	-	-	
V44	200 to 1 300	4 000	22 to 30	81	20	-	-	-	-	-	17	12	3	
V44-H				-	-	96	35	M16	10	135	-	-	-	
V44-W			15 to 22	81	31	-	-	-	-	-	-	17	12	3
V44-WH				-	-	96	46	M16	10	147	-	-	-	
V45	700 to 2 700	8 000	22 to 30	128	26	-	-	-	-	-	33	18	3	
V45-H				-	-	152	45	M20	13	155	-	-	-	
V45-W			15 to 22	128	36,5	-	-	-	-	-	-	33	18	3
V45-WH				-	-	152	56	M20	13	163	-	-	-	
V46	2 000 to 5 000	15 000	22 to 30	170	34,5	-	-	-	-	-	44	28	4	
V46-H				-	-	190	60	M24	16	160	-	-	-	
V46-W			15 to 22	170	43,5	-	-	-	-	-	-	44	28	4
V46-WH				-	-	190	71	M24	16	170	-	-	-	

Maximum excitation at resonant frequency: ± 0.2 mm (± 0.4 mm with low frequency cushion, suffix W).