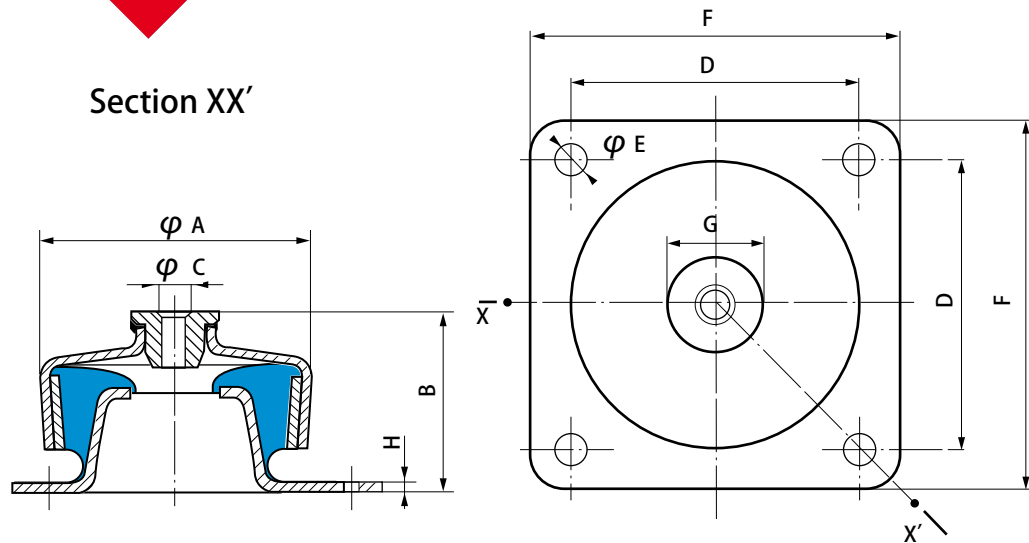




S.C.P. MOUNTING

Natural frequency : (1)
9 to 15 Hz



DIMENSIONS

Reference	φ A (mm)	B (mm)	φ C (mm)	D (mm)	φ E (mm)	F (mm)	G (mm)	H (mm)
530120	74	53	10	72	9	90	32	3
530220	92	63	12	90	11	114	36	3
530420	124	94	16	114	13	144	60	4

OPERATING CHARACTERISTICS

Reference	HARDNESS 45		HARDNESS 60		HARDNESS 75		Weight (g)
	Load (daN)	Deflect. (mm)	Load (daN)	Deflect. (mm)	Load (daN)	Deflect. (mm)	
530120	70	3	120	2,5	175	2	580
530220	140	4	200	3	300	2,5	1000
530420	300	5	500	5	800	4	2550

See current price list for availability of items.

(1) Natural frequencies with max/min loads, see : OPERATING CHARACTERISTICS.