

# METALLIC CUSHIONS FOR PIPEWORK

Natural frequency : (1)  
depending on load

## DESCRIPTION

The metal cushions for pipework are made from stainless steel wire that is work hardened, knitted, crimped and compressed to a given shape in a press.

The cushion can be supplied on its own or in a mounting kit which comprises two cushions, two spacers, a retaining zinc plated steel clamp.

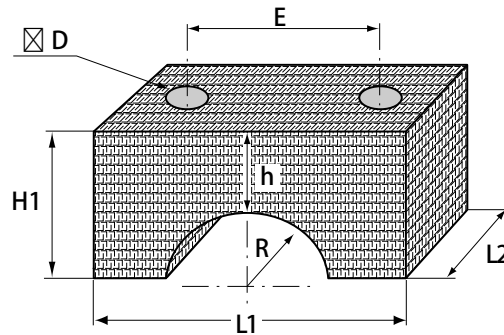
## APPLICATIONS

The cushions are resistant to temperatures from - 70°C to + 300°C and are used to clamp and isolate pipes against vibration.

(1) Natural frequencies with max/min loads, see : OPERATING CHARACTERISTICS.

# DIMENSIONS

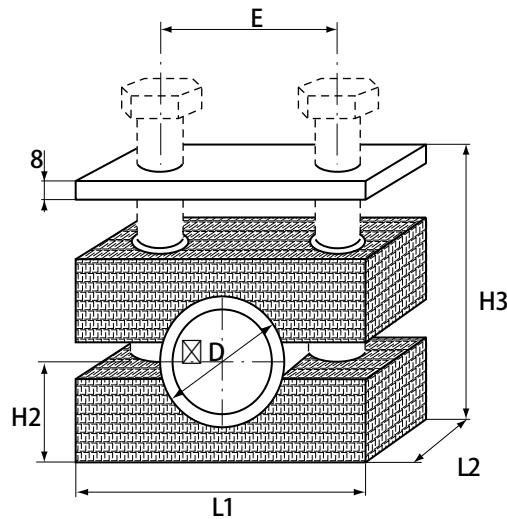
## CUSHION ONLY



Reference for cushion only	R (mm)	L1 (mm)	L2 (mm)	H1 (mm)	h (mm)	⊠ D (mm)	E (mm)
000 51 430	5,10	60	30	15	12	7	40
000 51 431	6,75	60	30	15	12	7	40
000 51 432	8,60	70	30	20	16	7	50
000 51 433	10,65	70	30	20	14	7	50
000 51 423	16,50	87	31	30	20	9	65
000 51 422	24,00	88	32	30	15	9	65
V3CNVJ123-A06	20,00	115	35	35	15	13,5	85
V3CNVJ122-A06	25,00	115	35	35	15	13,5	85
V3CNVJ121-A06	30,00	115	35	35	15	13,5	85

Dimensions are for unloaded cushions.

## CUSHION KIT (Screws not supplied)



Kit reference	⊠ D (mm)	L1 (mm)	L2 (mm)	H2 (mm)	H3 (mm)	E (mm)
V6056K01	40	115	35	32,5	73	85
V6057K01	50	115	35	37,5	83	85
V6058K01	60	115	35	42,5	93	85

Dimensions are for loaded cushions.